

NOFLEX

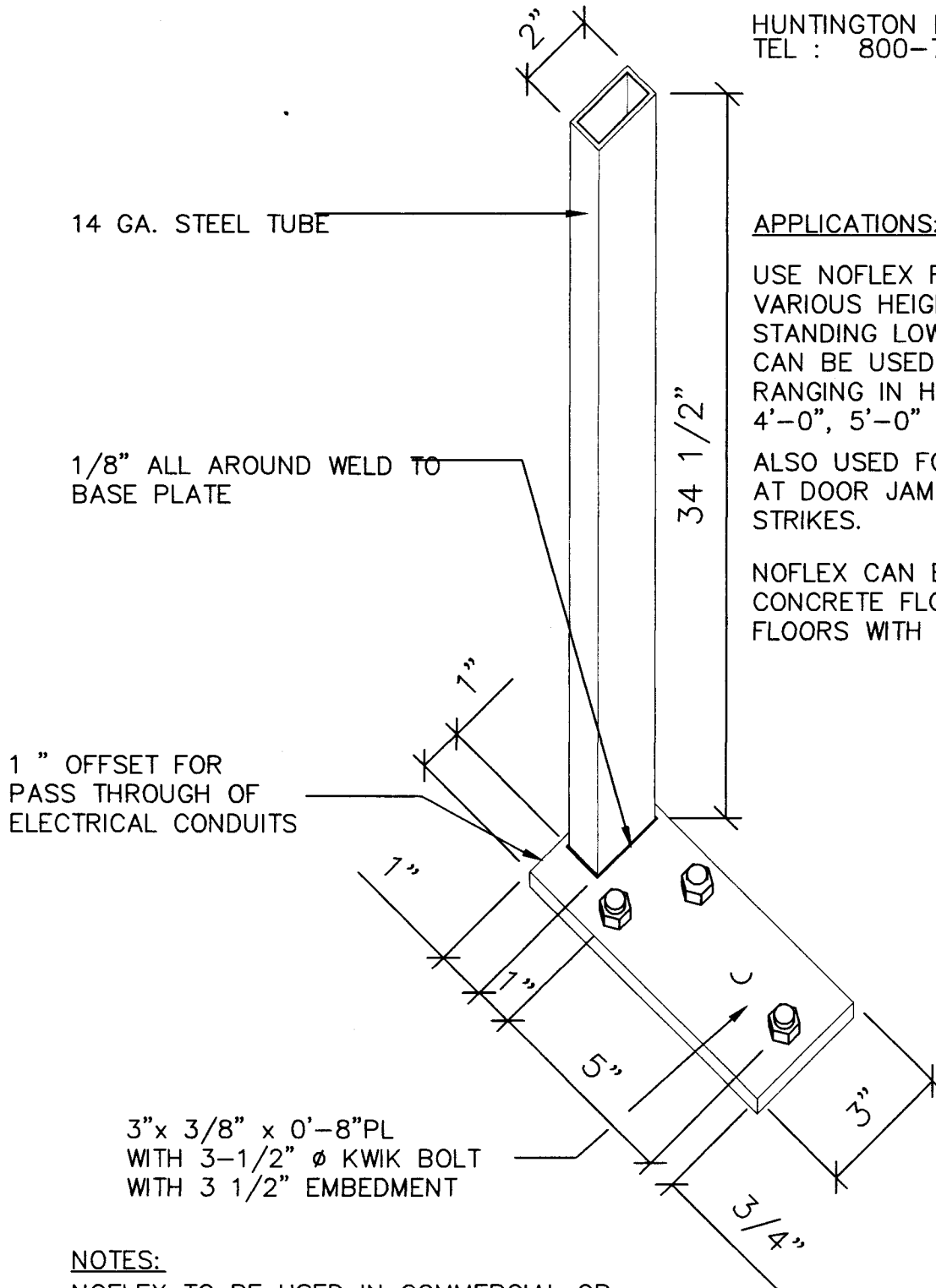
HUNTINGTON BEACH, CA 92646
TEL : 800-720-1994

APPLICATIONS:

USE NOFLEX FOR REINFORCING VARIOUS HEIGHTS OF FREE STANDING LOW WALLS. NOFLEX CAN BE USED ON LOW WALLS RANGING IN HEIGHT FROM 3'-0", 4'-0", 5'-0" AND 6'-0".

ALSO USED FOR REINFORCING AT DOOR JAMBS AND DOOR STRIKES.

NOFLEX CAN BE USED ON CONCRETE FLOORS AND WOOD FLOORS WITH PROPER BLOCKING.



14 GA. STEEL TUBE

1/8" ALL AROUND WELD TO
BASE PLATE

1" OFFSET FOR
PASS THROUGH OF
ELECTRICAL CONDUITS

3" x 3/8" x 0'-8" PL
WITH 3-1/2" Ø KWIK BOLT
WITH 3 1/2" EMBEDMENT

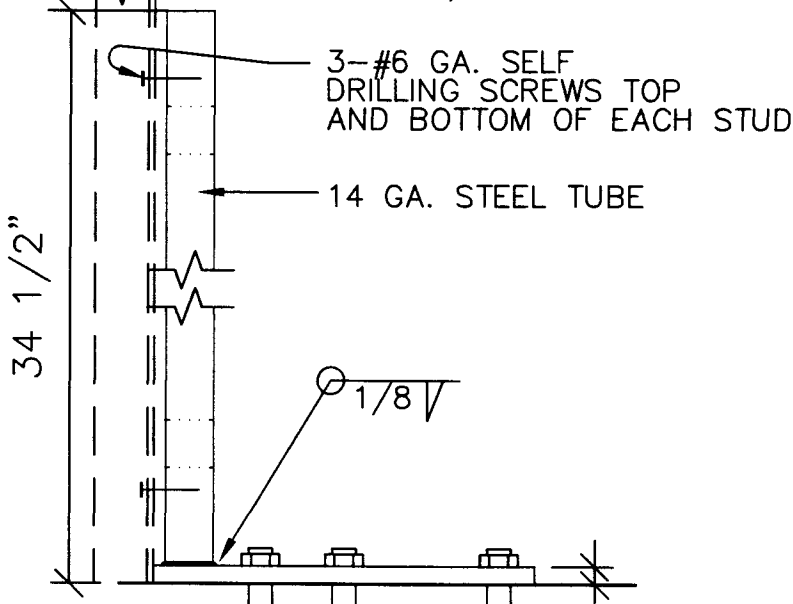
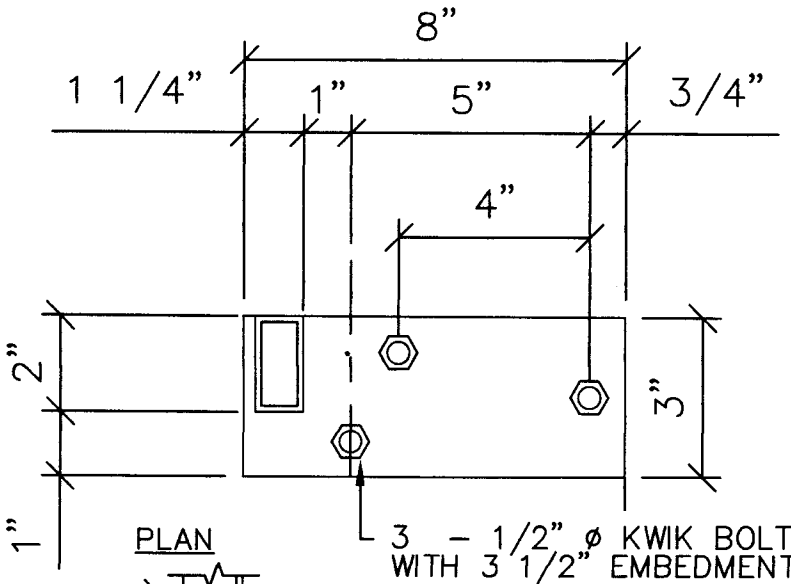
NOTES:

NOFLEX TO BE USED IN COMMERCIAL OR RESIDENTIAL FOR LOW HEIGHT WALLS OR PARTITIONS TO SEPARATE ROOMS OR WORK SPACES.

NOFLEX.COM

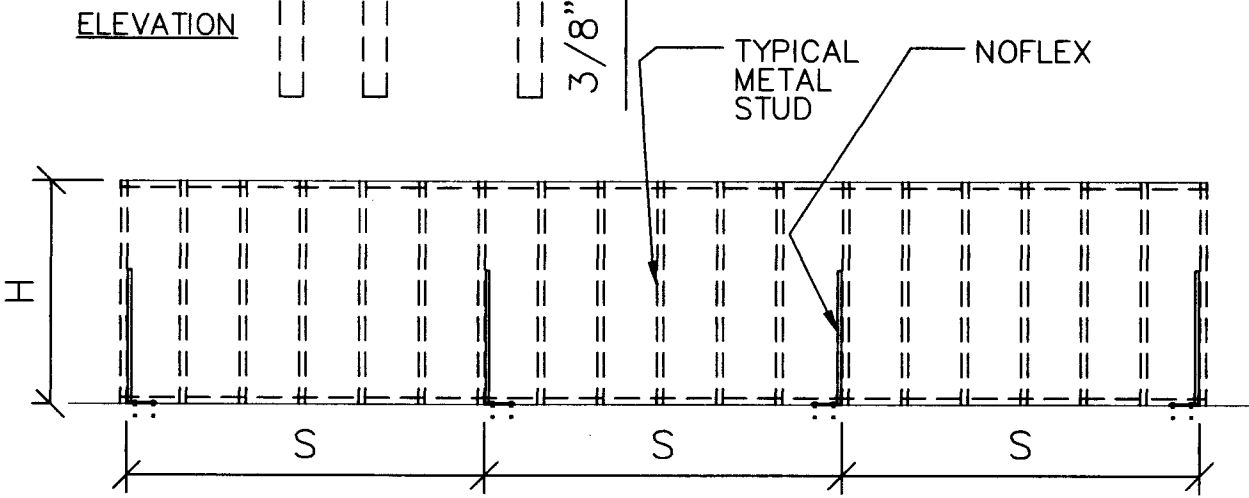
NOFLEX

HUNTINGTON BEACH, CA 92646
 TEL : 800-720-1994



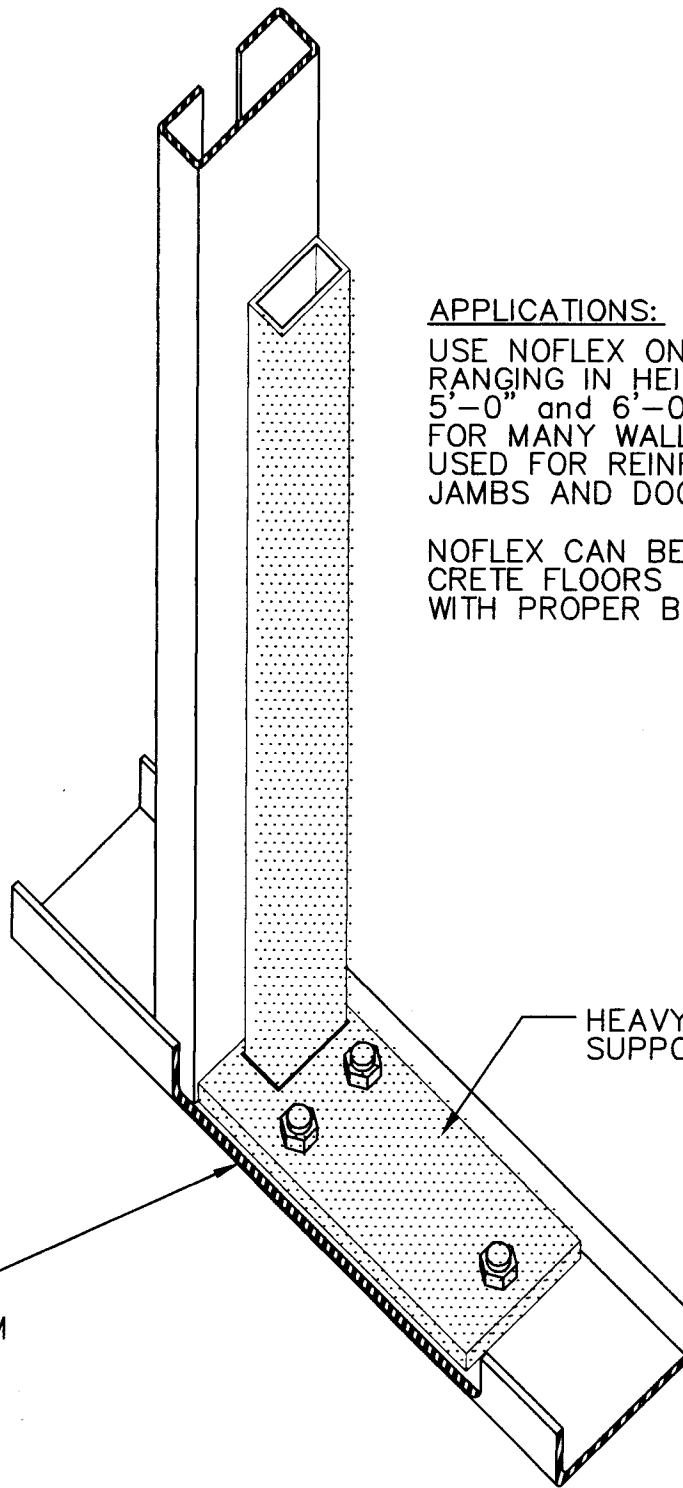
H MAXIMUM WALL HEIGHT	S SPACING OF POSTS
6'-0"	4'-0"
5'-0"	4'-0"
4'-0"	4'-0"
3'-0"	6'-0"

ELEVATION



ELEVATION (SHOWING NOFLEX SPACING)
 SEE TABLE ABOVE FOR HEIGHTS & SPACING

NOFLEX.COM



APPLICATIONS:

USE NOFLEX ON LOW WALLS, RANGING IN HEIGHT FROM 3'-0", 4'-0", 5'-0" and 6'-0". ONE PRODUCT FOR MANY WALL HEIGHTS. ALSO USED FOR REINFORCING AT DOOR JAMBS AND DOOR STRIKES.

NOFLEX CAN BE USED ON CONCRETE FLOORS AND WOOD FLOORS WITH PROPER BLOCKING.

NOFLEX
FITS INSIDE BOTTOM
TRACK FOR EASY
INSTALLATION

HEAVY GAUGE STEEL
SUPPORTS

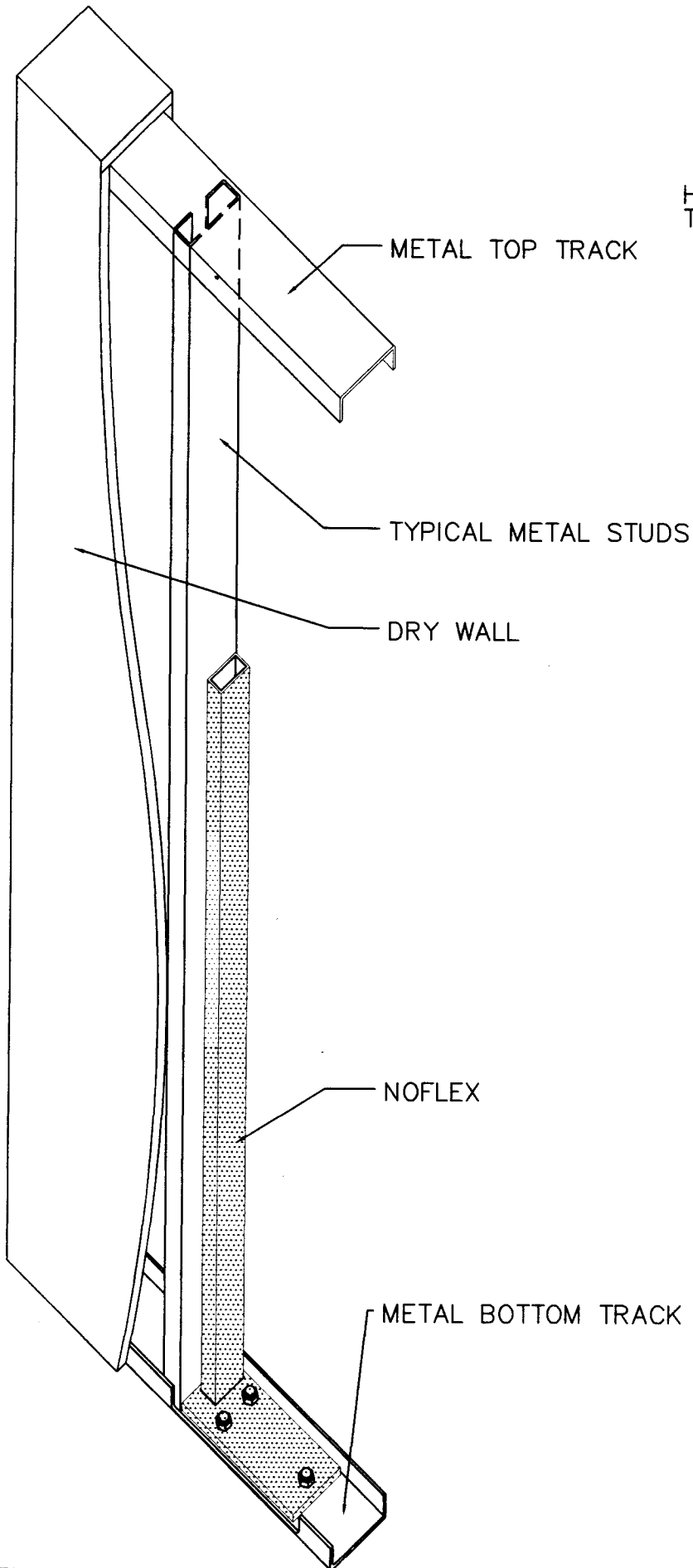
NOFLEX

HUNTINGTON BEACH, CA 92646
TEL: 800-720-1994

NOFLEX.COM

NOFLEX

HUNTINGTON BEACH, CA 92646
TEL : 800-720-1994



NOFLEX.COM