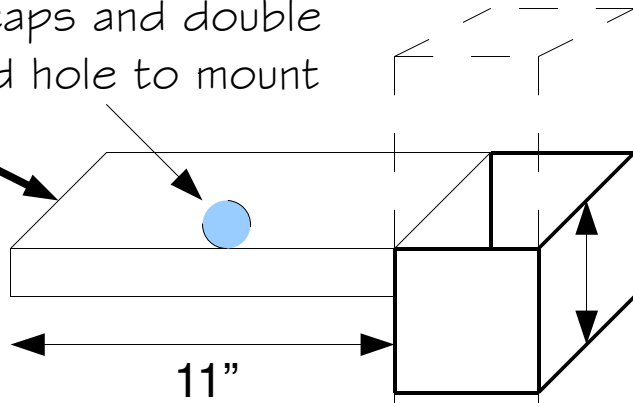
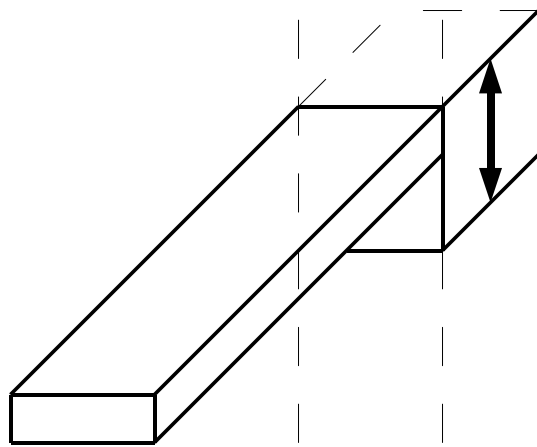


1"x2" tube w/plastic end caps and double drilled hole to mount shelf.

4 way shelf bracket

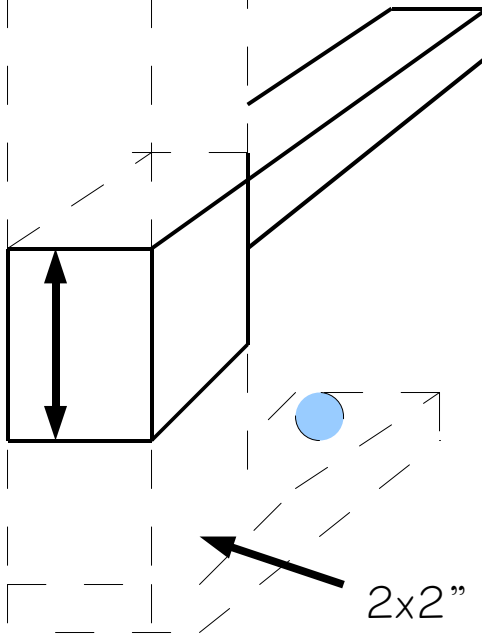


Mount 2"x2" sleeve at any height on 2x2" tube. Secure with 4 framing screws each side



Install shelf at any point on 2x2" noflex. Shelf can be installed pointing any direction

2"



2x2" noflex
Purchased separately